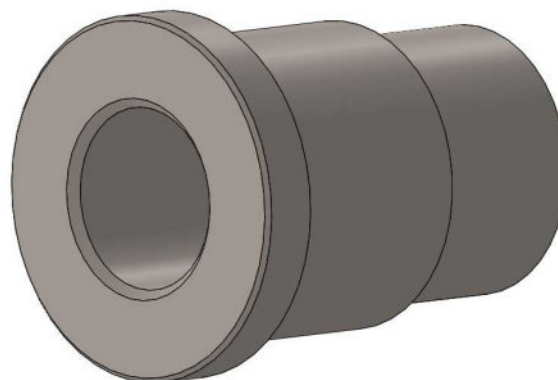
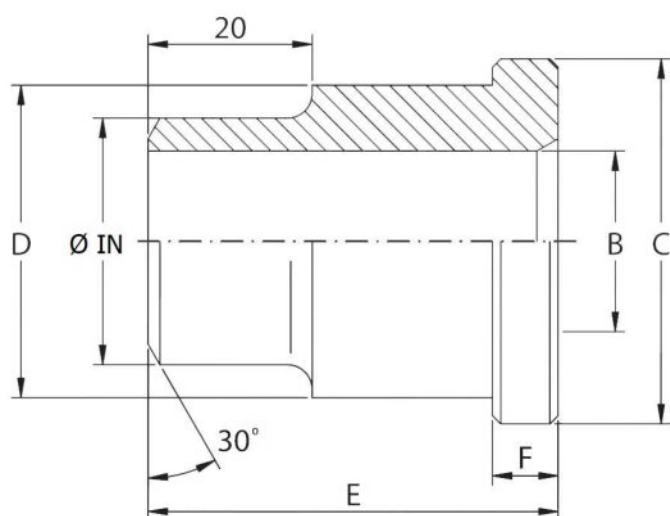


Bridas SAE

Conos soldar

Contrabrida cono soldable tubo gas

Acero Inoxidable AISI 316-L



Artículo	Serie	Ø int	Tamaño	ØB	ØC	ØD	E	F
ZBSG3008215	3000 PSI	21.5	1/2"	13	30,2	24	41	6,73
ZBSG3012280	3000 PSI	28.0	3/4"	19	38,1	32	50	6,73
ZBSG3016340	3000 PSI	34.0	1"	25	44,4	38	50	8
ZBSG3020428	3000 PSI	42.8	1"1/4	32	50,8	43	55	8
ZBSG3024486	3000 PSI	48.6	1"1/2	38	60,3	50	57	8
ZBSG3032610	3000 PSI	61.0	2"	51	71,4	62	57	9,53
ZBSG6008215	6000 PSI	21.5	1/2"	13	31,8	24	34	7,75
ZBSG6012280	6000 PSI	28.0	3/4"	19	41,3	32	38	8,76
ZBSG6016340	6000 PSI	34.0	1"	25	47,6	38	40	9,53
ZBSG6020428	6000 PSI	42.8	1"1/4	32	54	44	45	10,29
ZBSG6024486	6000 PSI	48.6	1"1/2	38	63,5	51	50	12,57
ZBSG6032610	6000 PSI	61.0	2"	51	79,4	67	58	12,57